

Little England Design A/S

November 2010

TECHNICAL DATA SHEET

Klassisk medium servant og stativ

Product Specification

Product (as per image)

Klassisk medium vask : Kode B1 + 1, 2 eller 3 hull til batteri
Stativ : Kode T22

Finishes: B1 - White

T22 - Chrome plated

Product Type: Traditional

Material: B1 - Vitreous china

T22 - Bodies are of all brass construction

Fixing: 'screw-through'
(patent applied for) design,
ensuring no lateral movement
on our product

Basin Size: w 58cm x d 47cm

Overall height: 88 cm

Tap holes: 1, 2 or 3

Additional information

● Supplied with an extra chrome plated domed screw.

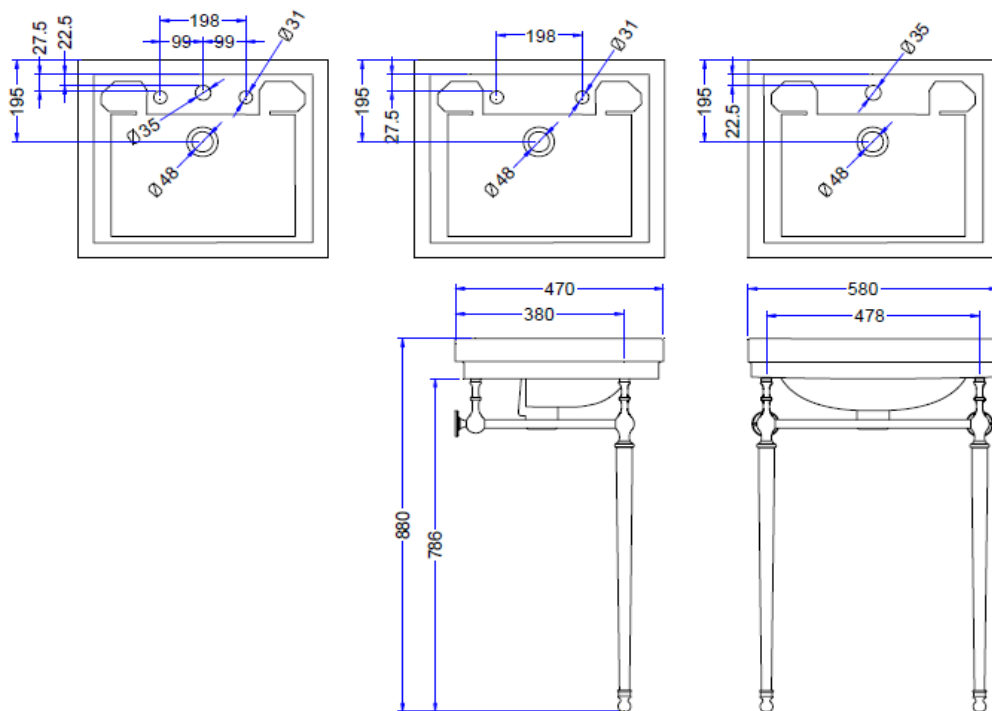
Guarantee:

1 year covering manufacturing faults.

Compliance/Approvals

● EN 997-2003

● Chrome plated to BS EN817-1997



Showroom & post : Engervannsveien 33, 1337 Sandvika, Norway

Tlph. (0047) 22 55 4100. Mobil telephon (0047) 911 38 388

E-mail : littleng@online.no

Web: <http://www.little-england.no>