

November 2010

TECHNICAL DATA SHEET

Klassisk medium servant og håndklestang.

Product Specification

Product (as per image)

Klassisk medium vask : Kode B1 + 1, 2
eller 3 hull til batteri
Håndklestang : Kode T2
Søyle : Kode P1

Finishes: B1 - White

T2 - Chrome plated

Product Type: Traditional

Material: B1 - Vitreous china

T2 - Bodies are of all brass construction

Basin Size: w 58cm x d 47cm

Overall height: 84cm

Tap holes: 1, 2 or 3

Additional information

● N/A

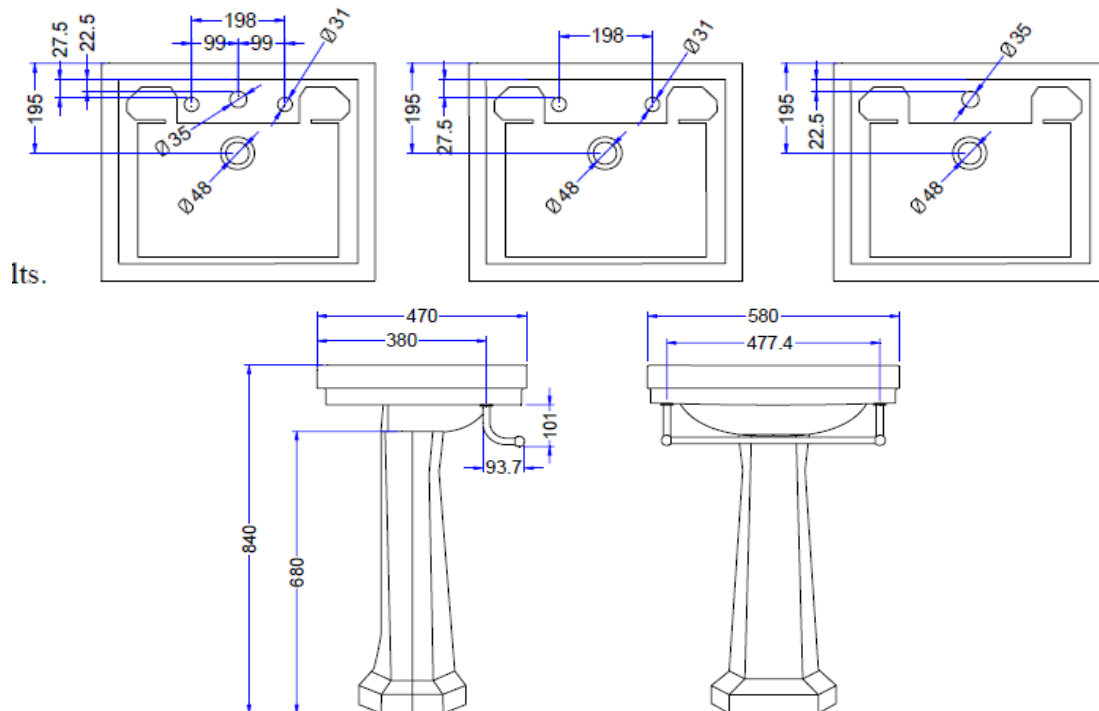
Guarantee:

1 year covering manufacturing faults.

Compliance/Approvals

● EN 997-2003

● Chrome plated to BS EN817-1997



Showroom & post : Engervannsveien 33, 1337 Sandvika, Norway

Tlph. (0047) 22 55 4100. Mobil telephon (0047) 911 38 388

E-mail : littleng@online.no

Web: <http://www.little-england.no>