

November 2010

## TECHNICAL DATA SHEET

### Edwardian stor vask og håndklestang

**Product Specification**

**Product (as per image)**

Edwardian stor vask : Kode B5 + 1, 2 eller  
3 hull til batteri

Håndkle stang : Kode T3

Søyle : Kode P1

**Finishes:** B5 - White

T3 - Chrome plated

**Product Type:** Traditional

**Material:** B5 - Vitreous china

T3 - Bodies are of all brass construction

**Basin Size:** w 61cm x d 51cm

**Overall height:** 89.6 cm

**Tap holes:** 1, 2 or 3

**Additional information**

● N/A

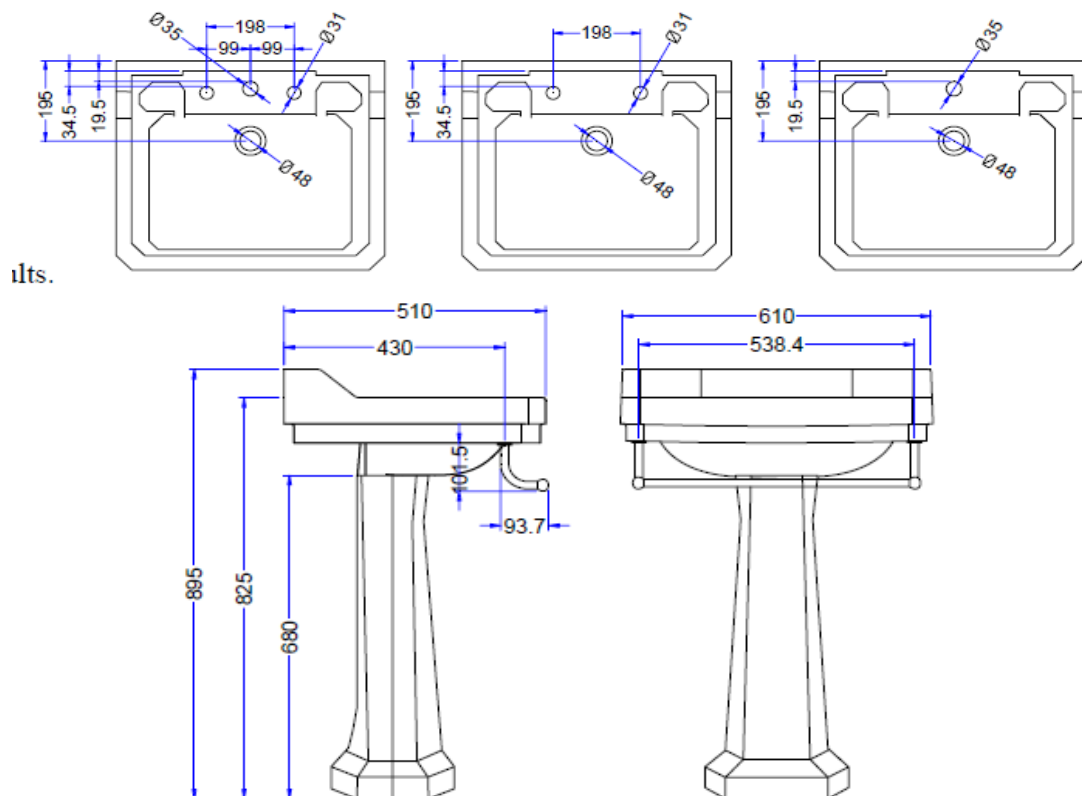
**Guarantee:**

1 year covering manufacturing faults.

**Compliance/Approvals**

● EN 997-2003

● Chrome plated to BS EN817-1997



Showroom & post : Engervannsveien 33, 1337 Sandvika, Norway

Tlph. (0047) 22 55 4100. Mobil telefon (0047) 911 38 388

E-mail : [littleng@online.no](mailto:littleng@online.no)

Web: <http://www.little-england.no>