

November 2010

## TECHNICAL DATA SHEET

### Edwardian stor servant og søyle

#### Product Specification

Product (as per image)

Edwardian stor servant : Kode B5 + 1,2 eller  
3 hull til batteri

Søyle : Kode P1

Finishes: White

Product Type: Traditional

Material: Vitreous china

Basin Size: w 61cm x d 51cm

Overall height: 89.6cm

Tap holes: 1, 2 or 3

#### Additional information

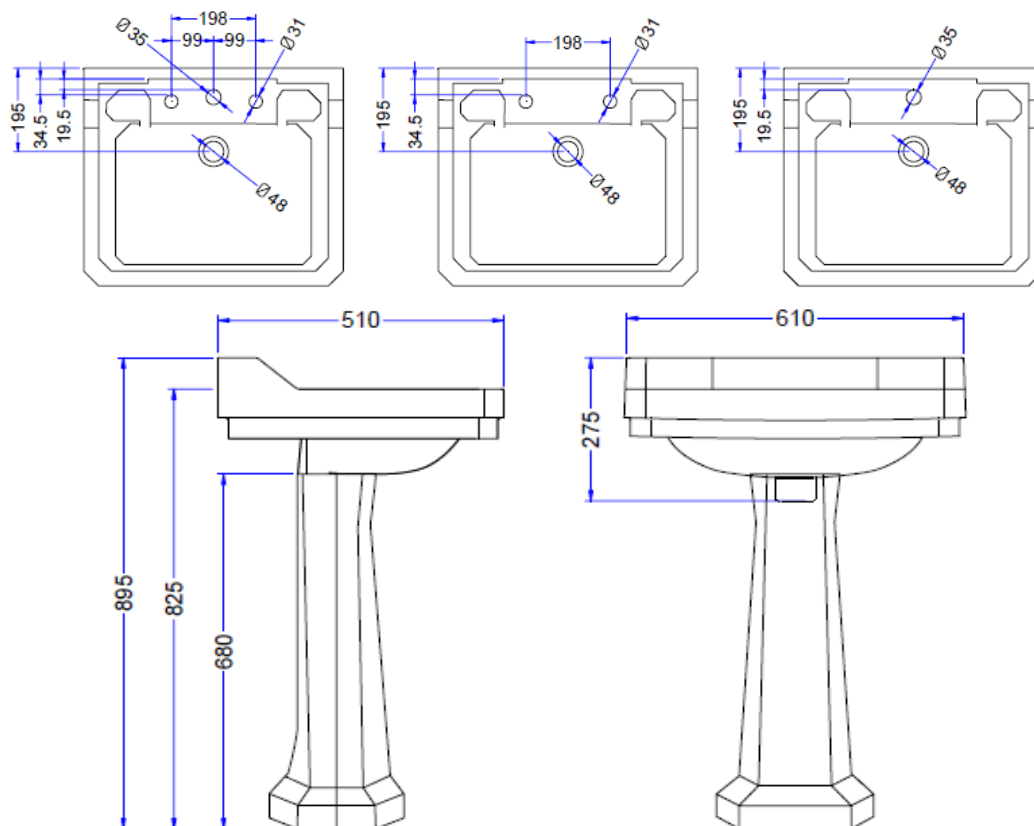
● N/A

#### Guarantee:

1 year covering manufacturing faults.

#### Compliance/Approvals

● EN 997-2003



Showroom & post : Engervannsveien 33, 1337 Sandvika, Norway

Tlph. (0047) 22 55 4100. Mobil telephon (0047) 911 38 388

E-mail : [littleng@online.no](mailto:littleng@online.no)

Web: <http://www.little-england.no>