

November 2010

TECHNICAL DATA SHEET

Edwardian Medium servant og søyle

Product Specification

Product (as per image)

Edwardian Medium servant : Kode B4 + 1, 2 eller
3 hull til batteri

Søyle : Kode P1

Finishes: White

Product Type: Traditional

Material: Vitreous china

Basin Size: w 56cm x d 47cm

Overall height: 90cm

Tap holes: 1, 2 or 3

Additional information

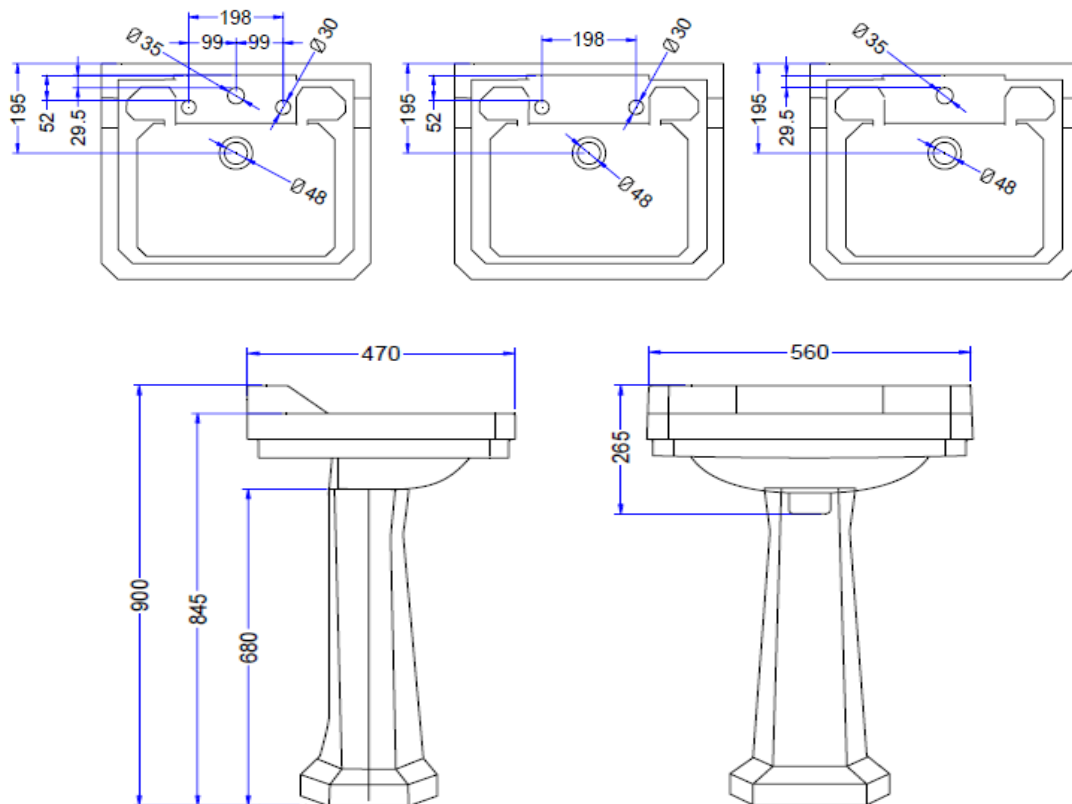
● N/A

Guarantee:

1 year covering manufacturing faults.

Compliance/Approvals

● EN 997-2003



Showroom & post : Engervannsveien 33, 1337 Sandvika, Norway

Tlph. (0047) 22 55 4100. Mobil telephon (0047) 911 38 388

E-mail : littleng@online.no

Web: <http://www.little-england.no>